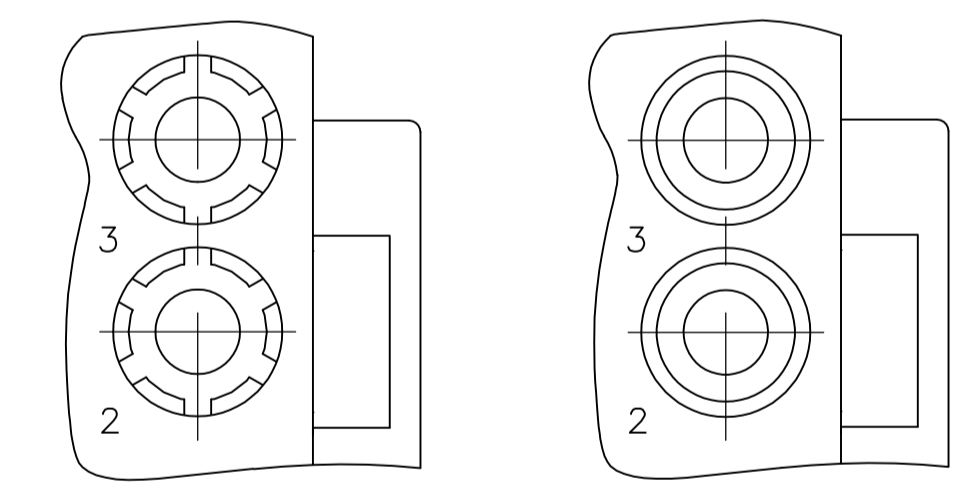
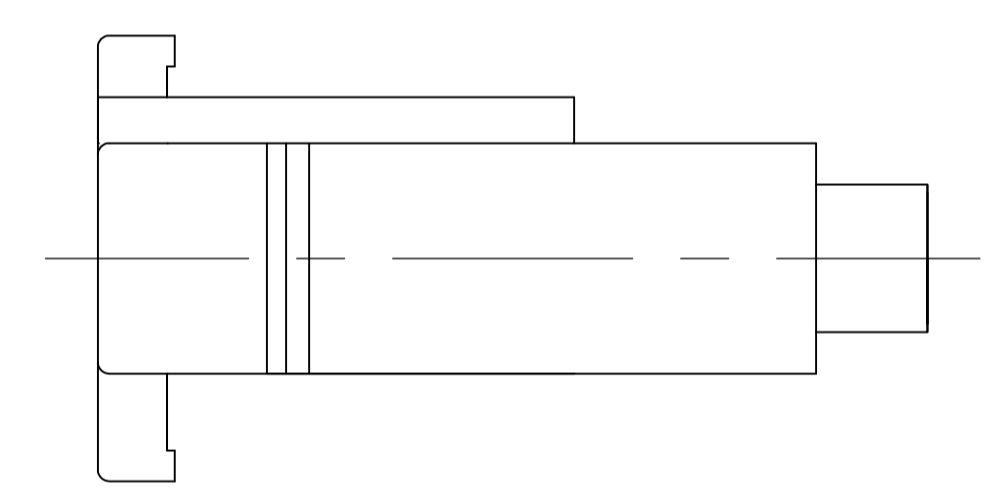
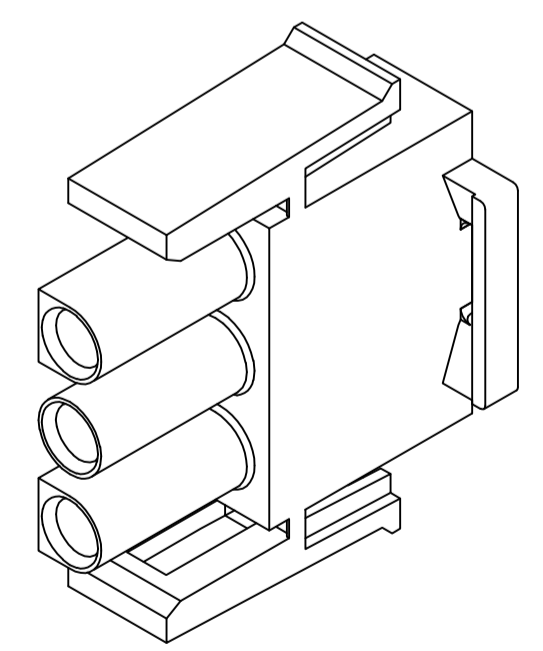


1. MATES WITH APPROPRIATE UNIVERSAL MATE-N-LOK™ CAP OR HEADER.
2. SMALL NICKS ARE PERMITTED ON THE CIRCUIT TOWERS WHICH COULD INCREASE THE INITIAL HOUSING MATING FORCE BY UP TO 4.4 NEWTONS [1.0 LBS]. NO INDIVIDUAL NICKED TOWER SHALL INCREASE THIS FORCE BY OVER 2.2 NEWTONS [.5 LBS].
3. DIMENSION INDICATED IS AS MOLDED. ADDITIONAL GROWTH DUE TO SUBSEQUENT MOISTURE ABSORPTION MAY OCCUR.
4. FOUR RIBS EQUALLY SPACED, NO SPECIFIC ORIENTATION. NO RIBS OR SIX RIBS EQUALLY SPACED, NO SPECIFIC ORIENTATION, OPTIONAL.
5. UNDERWRITERS RECOGNIZED COMPONENT LOGO AND CSA CERTIFICATION LOGO TO BE LOCATED ONCE EACH ON SIDE OF HOUSING.



DETAIL A
OPTIONAL CONSTRUCTION



3-DIMENSIONAL MODEL
NTS

BLACK	1-480700-9
GREY	1-480700-8
BLUE	1-480700-6
GREEN	1-480700-5
YELLOW	1-480700-4
ORANGE	1-480700-3
RED	1-480700-2
BROWN	1-480700-1
NATURAL	1-480700-0
COLOR	PART NUMBER

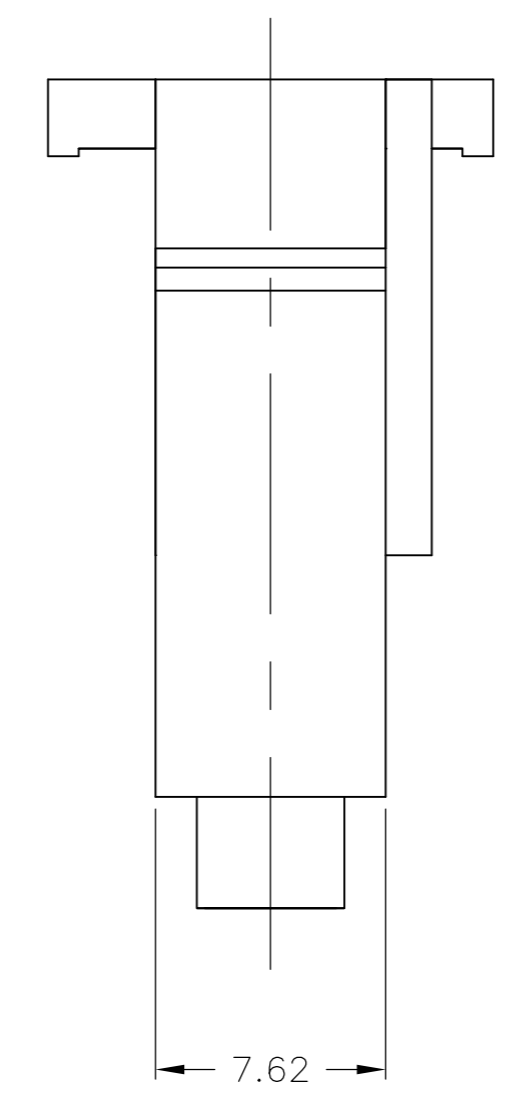
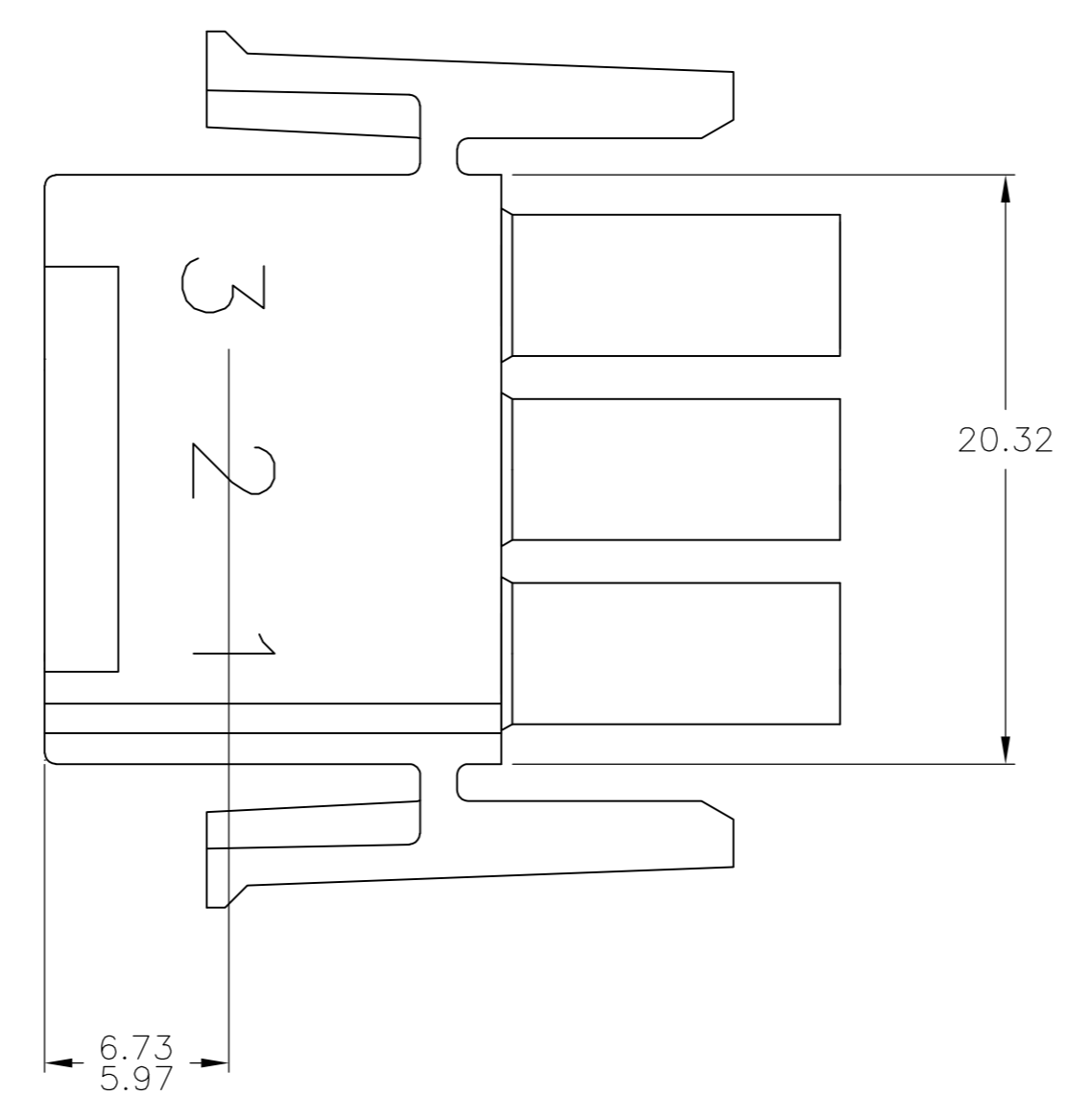
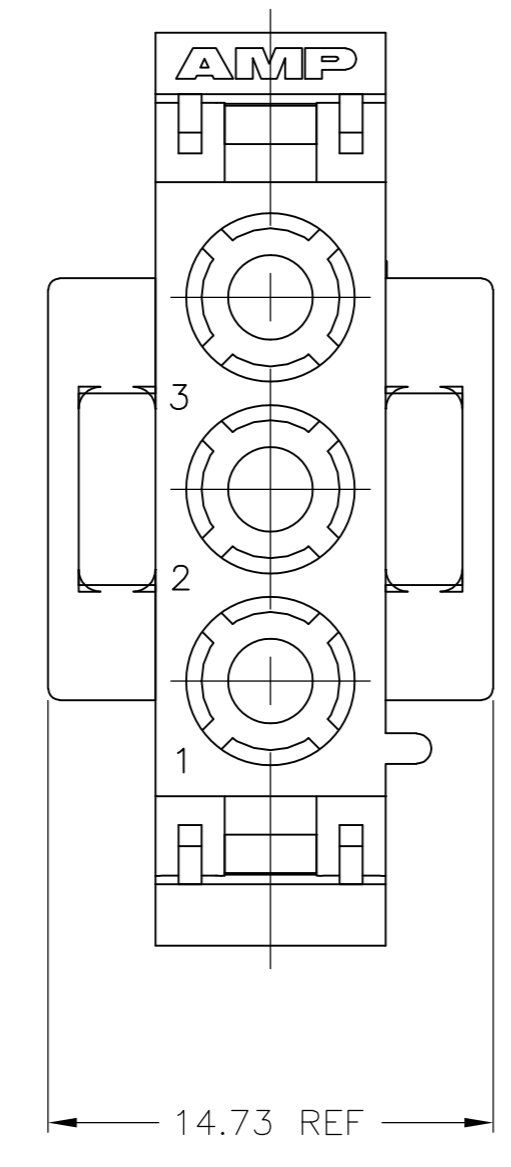
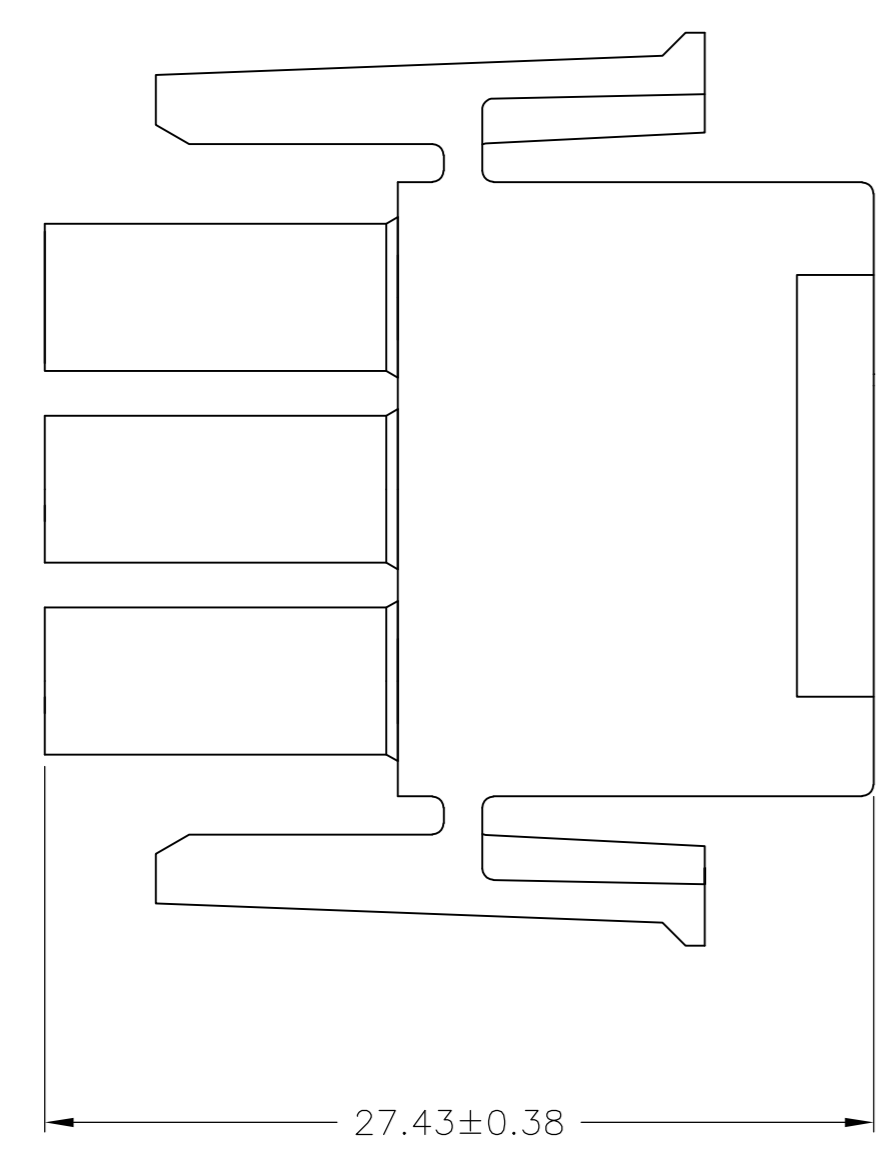
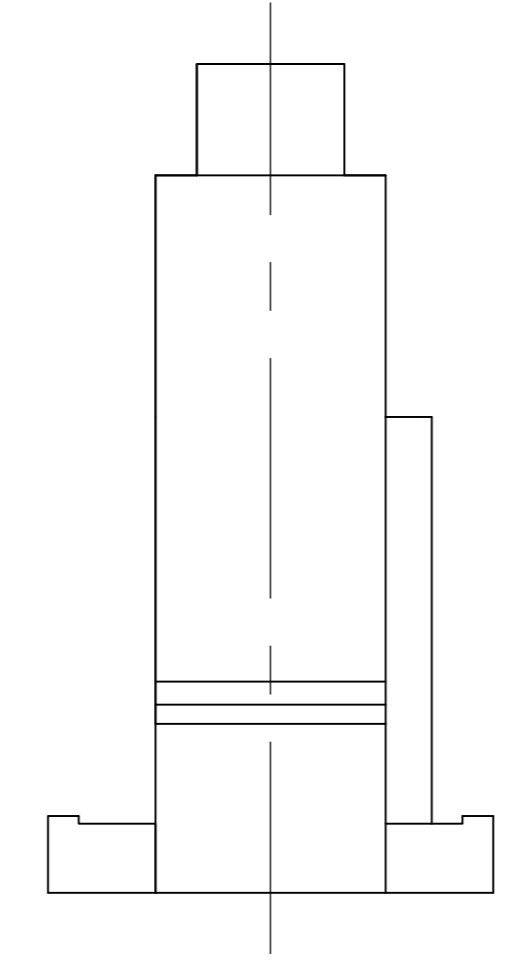
27.43	1.080
20.32	.800
14.73	.580
11.68	.460
7.62	.300
0.38	.015
0.13	.005
MM	IN

CONVERSION TABLE

THIS DRAWING IS A CONTROLLED DOCUMENT.

DIMENSIONS:	TOLERANCES UNLESS OTHERWISE SPECIFIED:	DIN R VESTAL 18JAN95	NAME
mm	0. PLC ± -	CHK R SWING 18JAN95	PLUG, 3 CIRCUIT, UNIVERSAL MATE-N-LOK(TM)
	1. PLC ± -	APP'D D SELF 18JAN95	SIZE
	2. PLC ± 0.13	PRODUCT SPEC	A1
	3. PLC ± -	APPLICATION SPEC	00779
	4. PLC ± -	WEIGHT	480700
	ANGLES ± 0° 30'	CUSTOMER DRAWING	SCALE 4:1 SHEET 1 OF 2 REV AR1
MATERIAL NYLON, UL 94V-2	FINISH -		

METRIC



1. STAMP NUMBERS 3.18 HIGH AT WIRE END OF HOUSING (12 POINT DAVID TYPE).
2. CHARACTERS TO BE POSITIONED ON HOUSING TO BE READ FROM WIRE END ONLY.
3. VIOLET, BLACK, BROWN AND BLUE COLORED BLOCKS TO BE STAMPED WITH WHITE CHARACTERS. ALL OTHER COLORED BLOCKS TO BE STAMPED WITH BLACK CHARACTERS.

6.73	.265	-	-
5.97	.235	27.43	1.080
3.18	.125	20.32	.800
0.38	.015	14.73	.580
0.13	.005	7.62	.300
MM	IN	MM	IN

CONVERSION TABLE

NATURAL	2-480700-0
COLOR	PART NUMBER

THIS DRAWING IS A CONTROLLED DOCUMENT.		DWN R. VESTAL 18JAN95	TE Connectivity	
DIMENSIONS: mm		CHK R. SWING 18JAN95	NAME PLUG, 3 CIRCUIT, UNIVERSAL MATE-N-LOK(TM)	
TOLERANCES UNLESS OTHERWISE SPECIFIED:		APPROV D. SELF 18JAN95	PRODUCT SPEC	
0 PLC ± -		APPLICATION SPEC		
1 PLC ± -		SIZE		
2 PLC ± 0.13		CAGE CODE		
3 PLC ± -		DRAWING NO		
4 PLC ± -		RESTRICTED TO		
ANGLES ± 0° 30'		A1 00779 480700		
MATERIAL NYLON, UL 94V-2	FINISH -	WEIGHT -	CUSTOMER DRAWING	
SCALE 4:1		SHEET 2 OF 2		REV AR1

